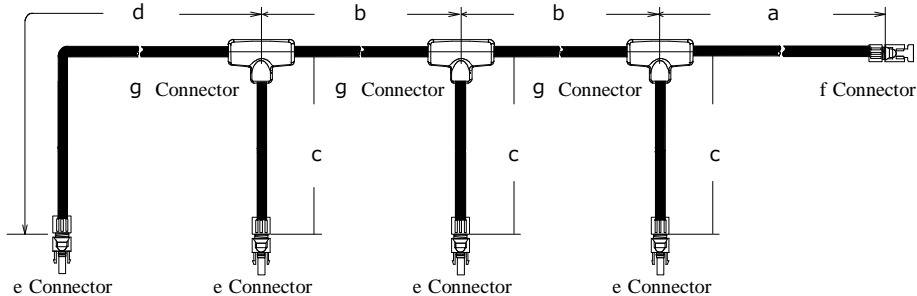


Branch cable for Solar Photovoltaic

Application : The branch photovoltaic cable are laid in parallel
Features : Connect with no bend

Nominal : 4 Branch ※Figure is male connector Type



e Connector : (Female Connector)
 •PV-KBT4/2.5 II -UR
 •PV-KBT4/6 II -UR



(Male Connector)
 •PV-KST4/2.5 II -UR
 •PV-KST4/6 II -UR



f Connector : (Female Connector)
 •PV-KST4/2.5 II -UR
 •PV-KST4/6 II -UR



(Male Connector)
 •PV-KBT4/2.5 II -UR
 •PV-KBT4/6 II -UR



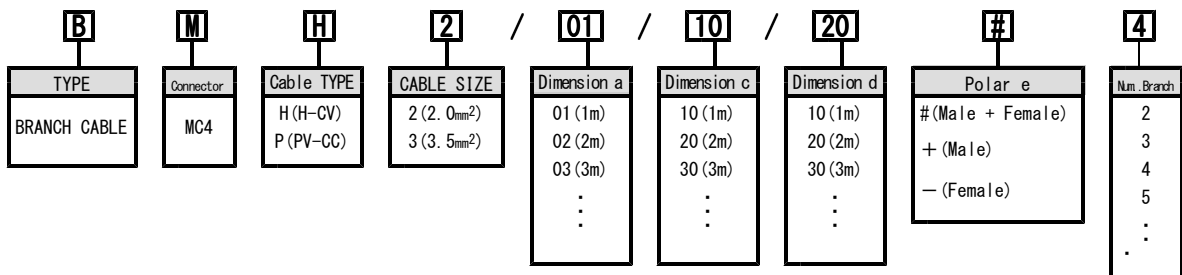
g : Branch Connector



Table1

TYPE	Dimension (m)				Num. branch	Cable TYPE
	a	b	c	d		
BMH2/01/10/20#4	1.0	1.0	1.0	2.0	4	H-CV 2.0mm ²
BMP3/01/10/20#4	1.0	1.0	1.0	2.0	4	PV-CC 3.5mm ²

Part Numbers : **B M H 2/01/10/20 # 4**

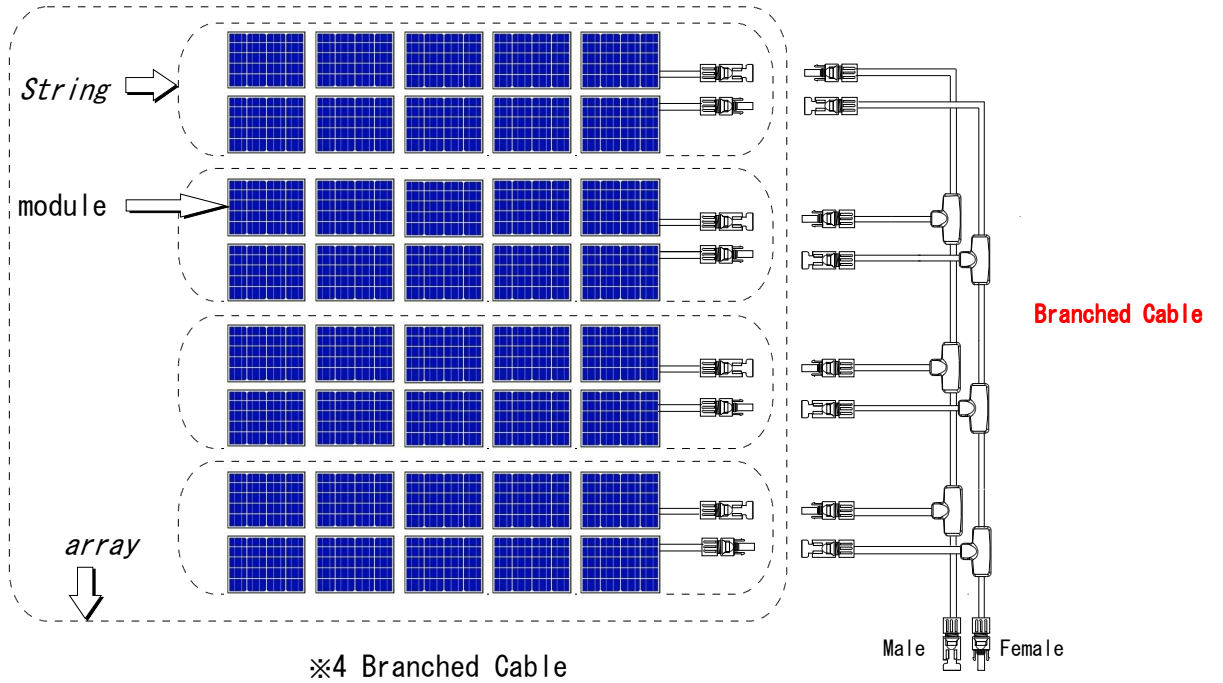


Specification:

Dimension (W×D×H) <mm>	W68 × D44 × H20
Temperature range	-40°C~+90°C
Rated Voltage	DC1000V
Current-Carrying Capacity (30°C)	30A
IP Code of waterproof	IPX7
Cable	H-CV 2.0mm ² PV-CC 3.5mm ²
Connector	MC4 Connector (Multi-Contact)

Usage

Branched Cable Circuit



[

Branch Connector

