

Solar Photovoltaic Cables with connector

Application : Connect with Photovoltaic module·Photovoltaic extension cable and Photovoltaic junction box With waterproof connector.



●Features

Highly weather proof, as well as low-temperature, heat, and migration resistant

◆COMPOSITION

Standards : H-CV、H EM-CE (<<PS>>E)、PV-CC (JCS 4517)、PV1-F (TUV 2Pfg1169)

Temperature range : -40°C~90°C

Rated Voltage : H-CV、H EM-CE (600V)、PV-CC (DC1500V)、PV1-F (DC1800V)

Compliant to RoHS

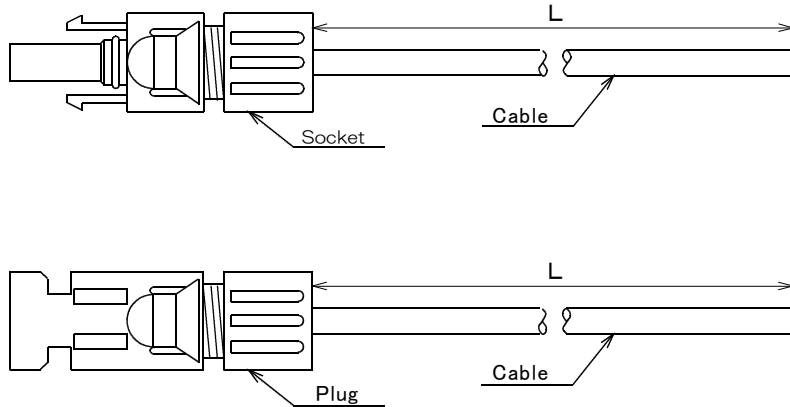
Type	Conductor			Insulation		Sheath	
	Size mm ²	Strands/Dia. Num. /mm A	Nom. Dia. mm	Nom. Thick. mm	Nom. Dia. mm	Nom. Thick. mm	Nom. Dia. mm
H-CV H EM-CE	2.0	7/0.6	1.8	0.8	3.4	1.45	6.3
	3.5	7/0.8	2.4	0.8	4.0	1.45	6.9
	5.5	7/1.0	3.0	1.0	5.0	1.50	8.0
PV-CC	2.0	7/0.6	1.8	0.8	3.4	1.25	5.9
	3.5	7/0.8	2.4	0.8	4.0	1.25	6.5
	5.5	7/1.0	3.0	0.75	4.5	1.20	6.9
PV1-F	2.5	47/0.254 (TA)	2.1	1.25	4.6	0.8	6.2
	4.0	76/0.26 (TA)	2.6	1.25	5.1	0.8	6.7
	6.0	112/0.26 (TA)	3.2	1.25	5.7	0.8	7.3

◆Connector

	Plug (Male)	Socket (Female)
MC3 (multi-contact)		
MC4 (multi-contact)		
SOLARLOK (Tyco)		

◆Extension cable

Connect with connector in the one end of Cable.

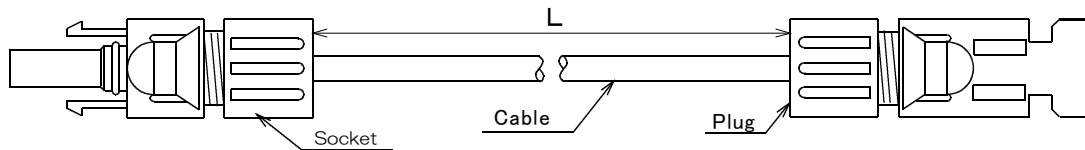


Nominal Length : 10m · 20m · 30m · 40m · 50m · 60m · 70m · 80m

◆Connection cable

Connect with

1. MC3 male connector in one end of Cable, MC3 female connector in the another end of Cable
2. MC4 male connector in one end of Cable, MC4 female connector in the another end of Cable
3. SOLARLOK male connector in one end of Cable,
SOLARLOK female connector in the another end of Cable



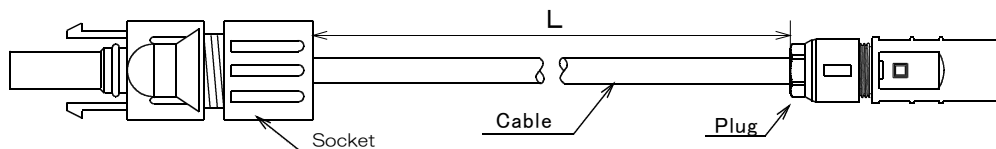
Nominal Length : L 5m · 10m · 20m

◆Transformatuion cable

※for example

Connect with

1. MC3 male connector in one end of Cable, MC4 female connector in the another end of Cable
2. MC3 male connector in one end of Cable,
SOLARLOK female connector in the another end of Cable



◆Cable only

Nominal Length : 10m · 20m · 30m · 40m · 50m · 60m · 70m · 80m